

KEY FEATURES

- Excellent power handling (500 W RMS)
- High sensitivity (95 dB)
- Designed for subwoofer applications

TECHNICAL SPECIFICATIONS

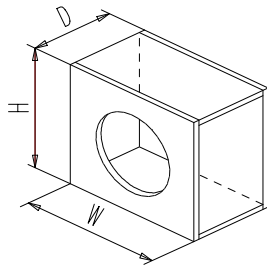
Nominal diameter	300 mm. 12 in.
Nominal impedance	4 ohms
Power handling / Max. power	500 W RMS / 1500 W
Sensitivity	95 dB 1w @ 1m
Frequency range	40 - 1500 Hz
Voice coil diameter	100 mm. 4 in.
Bl factor	17 N/A
Moving mass	0.106 Kg.

THIELE-SMALL PARAMETERS

Resonance frequency, f_s	29 Hz
D.C. resistance, R_e	4.1 ohms.
Mechanical quality factor, Q_{ms}	7.47
Electrical quality factor, Q_{es}	0.28
Total quality factor, Q_{ts}	0.27
Equivalent air volume to C_{ms} , V_{as}	122 l
Efficiency, η (%)	1
Effective surface area, S_d	550 cm ²
Maximum displacement, X_{max}	9 mm.
Displacement volume, V_d	495 cm ³
Voice coil inductance, L_e @ 1 kHz	1.9 mH

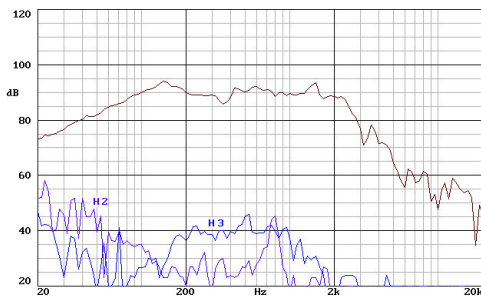
CLOSED BOX

Vol = 35 liters 1.24 ft³
 H = 420 mm. 16.54 in.
 W = 490 mm. 19.29 in.
 D = 240 mm. 9.45 in.
 Wall thickness = 19 mm. 0.75 in.



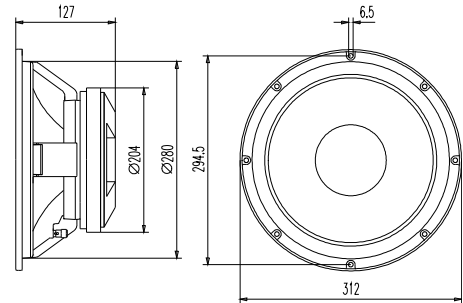
Note: the dimensions are external

FREQUENCY RESPONSE



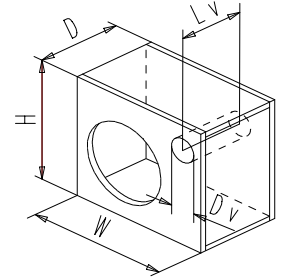
Note: on axis frequency response measured with loudspeaker standing on infinite baffle in anechoic chamber, 1w @ 1m.

DIMENSION DRAWINGS



VENTED BOX

Vol = 46 liters 1.62 ft³
 H = 420 mm. 16.54 in.
 W = 580 mm. 22.84 in.
 D = 260 mm. 10.24 in.
 Wall of thick. = 19 mm. 0.75 in.
 No. of vents = 1
 Dv = 100 mm. 3.94 in.
 Lv = 201 mm. 7.91 in.



Note: the dimensions are external

FREE AIR IMPEDANCE

