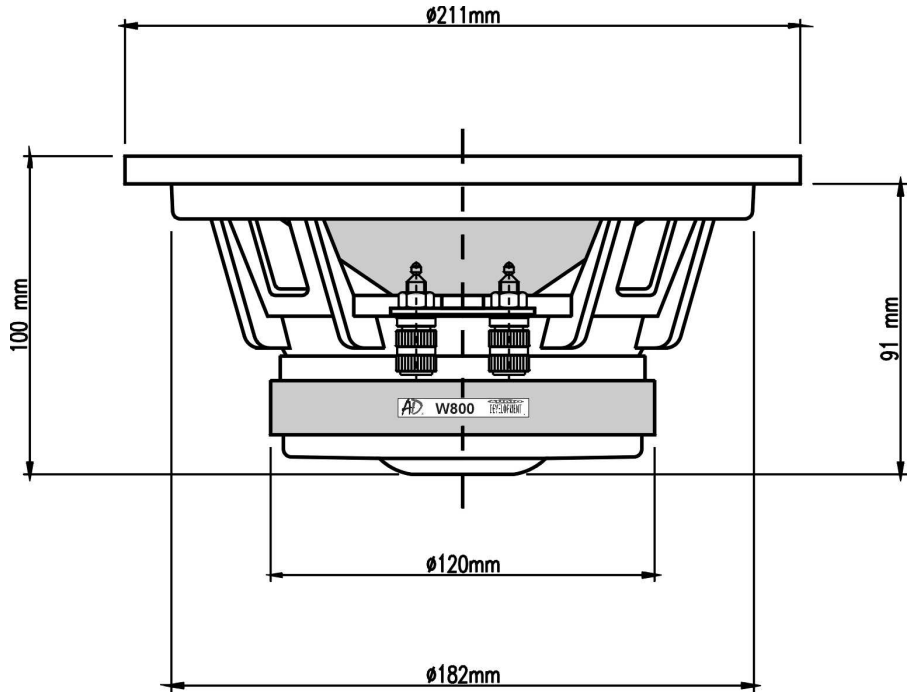
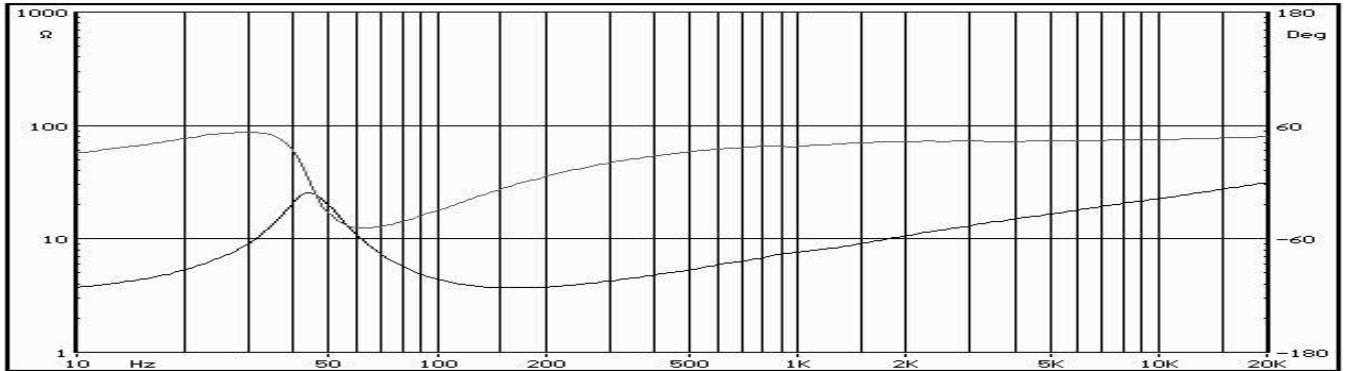


# W 800

<b>Sd:</b>	210 cm <sup>2</sup>
<b>Vas:</b>	24 l
<b>Cms:</b>	3.4e-04 m/N
<b>Cas:</b>	1.7e-07 m <sup>5</sup> /N
<b>Zm:</b>	33.2 ohm
<b>Mms:</b>	38.3 g
<b>Rms:</b>	2.93 Ns/m
<b>Fs:</b>	44 Hz
<b>Bl:</b>	8.00 N/A
<b>Re:</b>	3.00 ohm
<b>Le:</b>	1.05 mH
<b>Qms:</b>	3.64
<b>Qes:</b>	0.50
<b>Qts:</b>	0.44
<b>V/C h:</b>	28.00 mm
<b>Xmax:</b>	16.00 mm
<b>Pmax:</b>	200.0 W
<b>Spl</b>	92 dB



## IMPEDANCE



## TECHNICAL FEATURES

- CONE: Fiberglass in double coat treated for min. cone flexing and max. dumping .
- SUSPENSION: Thermo-formed butilic rubber.
- VOICE COIL: OFC voice coil on alu-former (∅ 40 mm). Vented pole for forced air cooling .
- BASKET: multi reinforced Aluminum.
- VOICE COIL DUST COVER: material , weight , dimension studied to increase the Mms in order to linearize the higher frequencies too.

The 20 cm. diameter woofer is an all-purpose. It should be able to work installed in a door, in the rear, trunk or boxed, and possibly in a small volume...W 800 is our answer to these requests, adding from our design a determination above suspicion and a great power handling.

Do not be surprised to see something like that in home systems of great names from our competitors, or even in some P.A. installations.

Phase and Impedance curves are measured after 20 hour of use at 40 W RMS,so are the T/S parameters.  
Due to the continue research and development, these information are subject to change without notice.