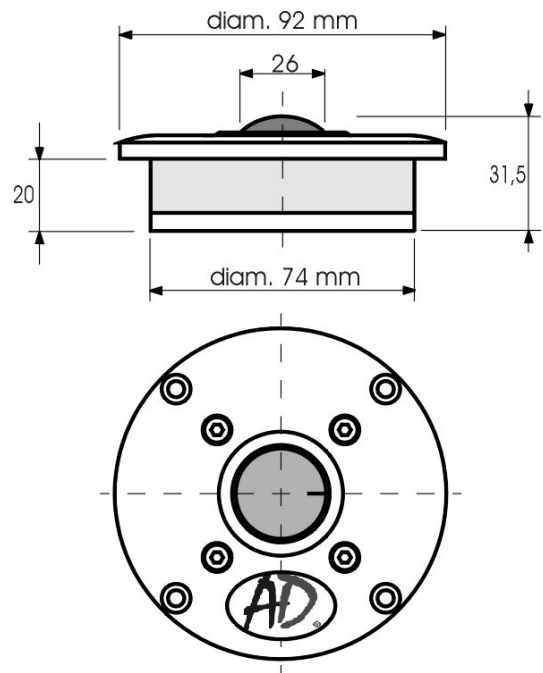


# T 100 F

<b>D:</b>	1" – 26 mm
<b>Re:</b>	3.00 ohm
<b>Cms:</b>	-
<b>Le:</b>	0.04 mH
<b>Znom:</b>	4 ohm
<b>Pmax</b>	100.0 W 2,0 KHz
<b>Freq. Resp.</b>	1500 – 20000 Hz
<b>Fs:</b>	980 Hz
<b>Bl:</b>	1,84 N/A



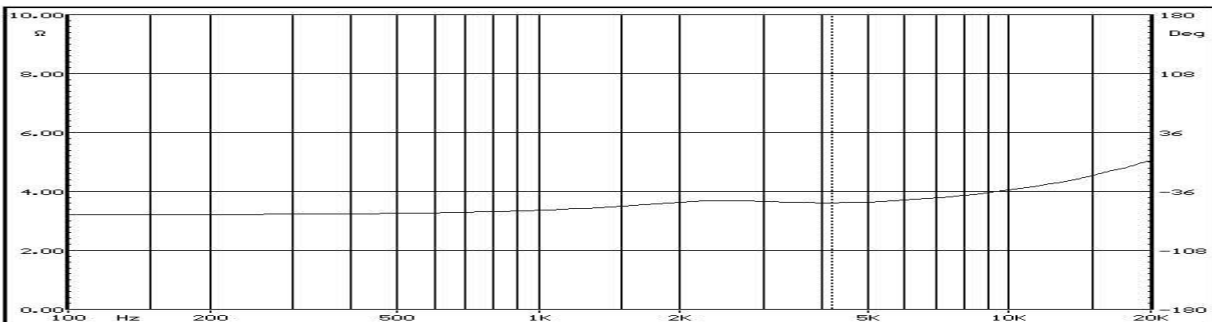
## DESIGN FEATURES

- DOME: 26mm diameter silk dome.
- VOICE COIL: Pure copper on aluminum former (Ø 25 mm)  
Ferrofluid cooled
- MAGNET: High quality Ferrite, magnetized by AD.
- BAFFLE: 90 mm diameter, with a shape studied to increase the linearization.

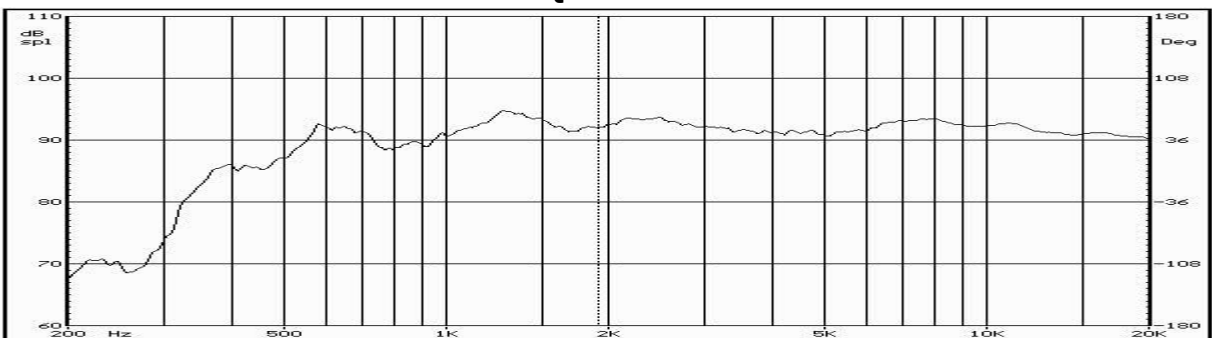
Directly from home hi-end, this tweeter has a resonance frequency low enough to cross the bass frequency transducers without problems, building no compromise two way systems.

Silk dome, ferrite magnet, high power handling are some of the features of this component, suggested in all those systems where quality rules, in particular over the scenic reconstruction of the musical reproduction.

## T 100 F IMPEDANCE



## T 100 F FREQUENCY RESPONSE



Due to the continue research and development, these information are subject to change without notice.