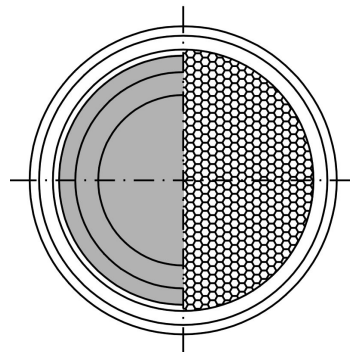
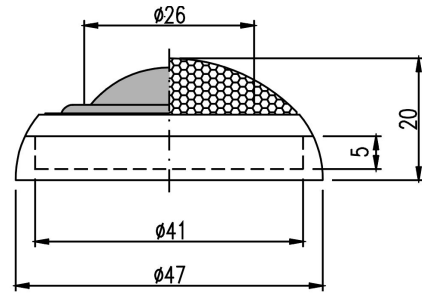


T 100

D:	1" – 26 mm
Re:	3.00 ohm
Cms:	-
Le:	0.04 mH
Znom:	4 ohm
Mms:	-
Pmax	100.0 W 2,0 KHz
Fs:	1470 Hz
Bl:	1,45 N/A



DESIGN FEATURES

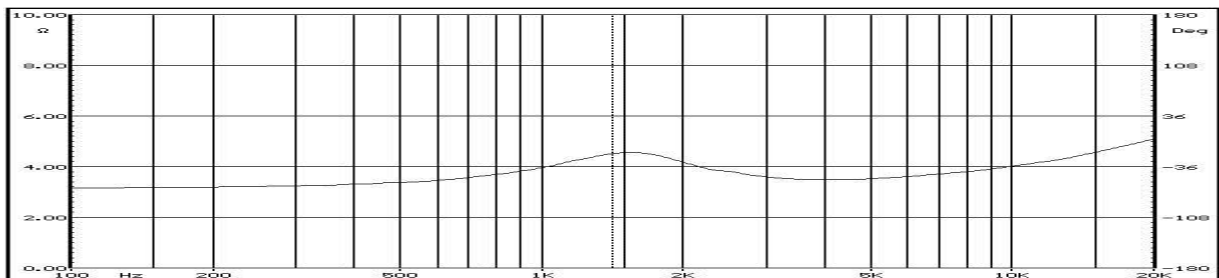
- DOME: 26 mm diameter silk dome.
- VOICE COIL: Pure copper on aluminum former (\varnothing 25 mm)
Ferrofluid cooled
- MAGNETIC CIRCUITATION: High thermal stability Neodimium, magnetized with an internal procedure.
- MOUNTING SYSTEM: Tri-mount with adaptors, for external, internal or baffle usage.

New name for the awarded ADT 1.

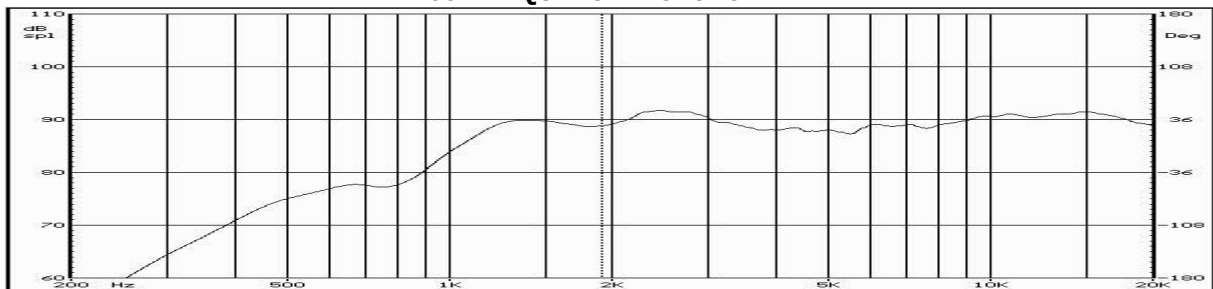
This tweeter inherits the features that made its father one of the most reckoned 1" silk dome in the market. High quality Neodimium, Ferrofluid, small dimensions, these are some first appearing features.

The magnetic circuit, cornerstone of the AD designs, and the power handling, are others of its features, making this component the right solution for three way systems of no comprises, as well as for classical two way systems.

T 100 IMPEDANCE



T 100 FREQUENCY RESPONSE



Phase and impedance curves are measured after 20 hours burn-in at 10 W RMS, so are the T / S parameters. Due to the continue research and development, these information are subject to change without notice.