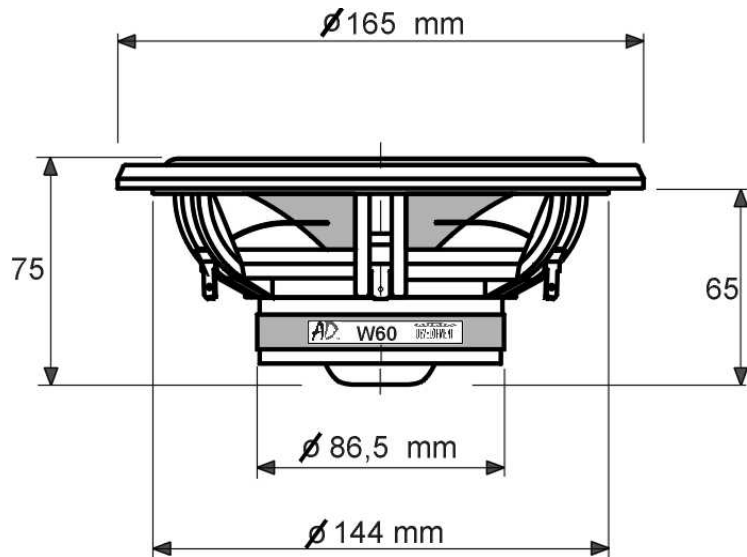
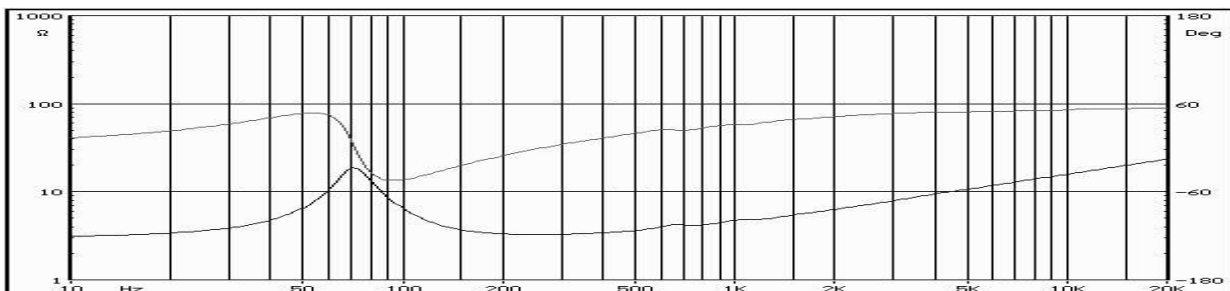


W 60

Sd:	136 cm ²
Vas:	9.21 l
Cms:	3.5e-04 m/N
Cas:	6.6e-08 m/N
Mmd:	13,22 gr
Mms:	14,40 gr
Rms:	1.51 Ns/m
Fs:	71.5 Hz
Bl:	4.78 N/A
Re:	2.80 ohm
Le:	0.56 mH
Qms:	4.19
Qes:	0.77
Qts:	0.65
V/C l:	21.00 mm
Xmax:	16.00 mm
Pmax:	100 W
dBSpl:	91.0 dB



W 60 IMPEDANCE



DESIGN FEATURES

- CONE: Double layer fiberglass with rubber suspension.
- VOICE COIL: Pure copper wire on aluminium former (\varnothing 26 mm).
- BASKET: Owner's design, a PPO chassis injected with fiberglass, in order to low down undesired distortions.
- DUST COVER: ABS, glued directly to the V/C former, with calibrated weight and dimensions in order to reach the desired Mms.

This midwoofer of the 10 line represents the answer to the request for a 2 or 3 way system of high quality, with a very complete range of frequencies, even without the use of a subwoofer. The real flat response, up to the highest frequencies, without severe break-ups of the cone, allows to design the most complicated systems with great homogeneity and overall quality, when an extreme power handling is not required.

The DIN basket and the non-invasive mounting depth, allow an easy installation, when the big excursion of the cone was considered, as the real professional use to, for which we recommend to ask to one of them in order to reach the top performances of our components.

Door mounting is its preferred position, but also the trunk and rear mounting in more performing systems are good options.

Phase and impedance curves are measured after 20 hours burn-in at 40 W RMS, so are the T / S parameters. Due to the continue research and development, these information are subject to change without notice.