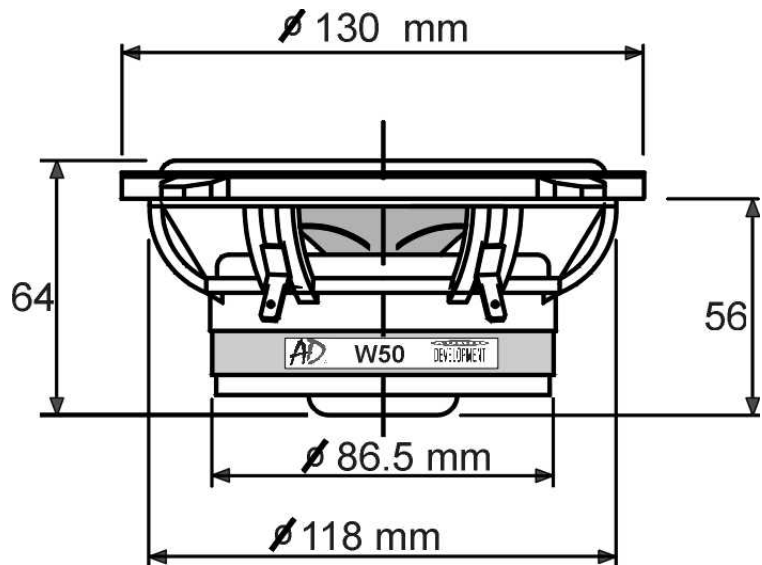
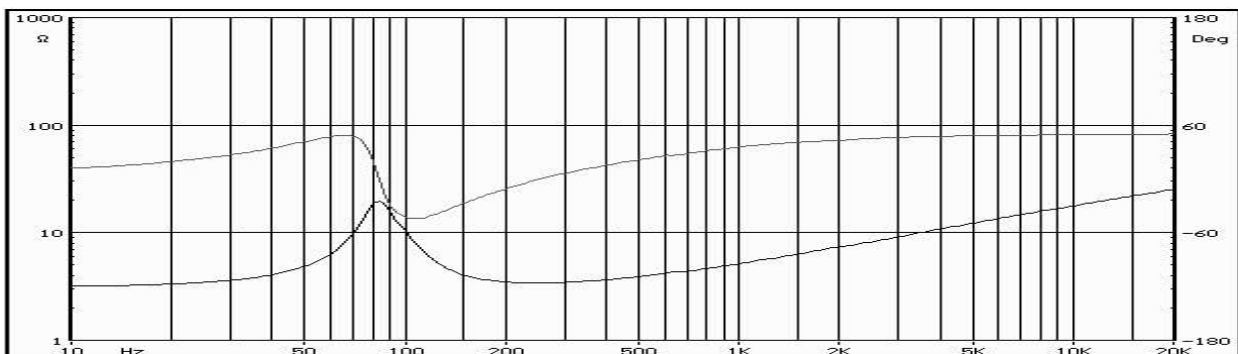


W 50

Sd:	78 cm ²
Vas:	6.08 l
Cms:	7.3e-04 m/N
Cas:	1.5e-08 m/N
Mmd:	-, gr
Mms:	14,44 gr
Rms:	1.61 Ns/m
Fs:	84 Hz
Bl:	5.04 N/A
Re:	2.90 ohm
Le:	0.62 mH
Qms:	4.87
Qes:	0.89
Qts:	0.75
V/C l:	19.00 mm
Xmax:	14.00 mm
Pmax:	50 W
dBSpl:	88.5 dB



W 50 PHASE / IMPEDANCE



DESIGN FEATURES

- CONE: Double layer fibreglass with rubber suspension.
- VOICE COIL: Pure copper wire on aluminium former (∅ 26 mm).
- BASKET: Owner's design, a PPO chassis injected with fibreglass, in order to low down undesired distortions.
- DUST COVER: ABS, glued directly to the V/C former, with calibrated weight and dimensions in order to reach the desired Mms.

The 13 cm is an evolution of the W 40, with much more low frequencies, and a very good matching with the T 10 and T 100 tweeters, in order to create two-way systems modern music oriented (T 10) or more "serious" (T 100). It's hard to miss a 16 cm, referring to this W 50.

Phase and impedance curves are measured after 20 hours burn-in at 30 W RMS, so are the T / S parameters. Due to the continue research and development, these information are subject to change without notice.