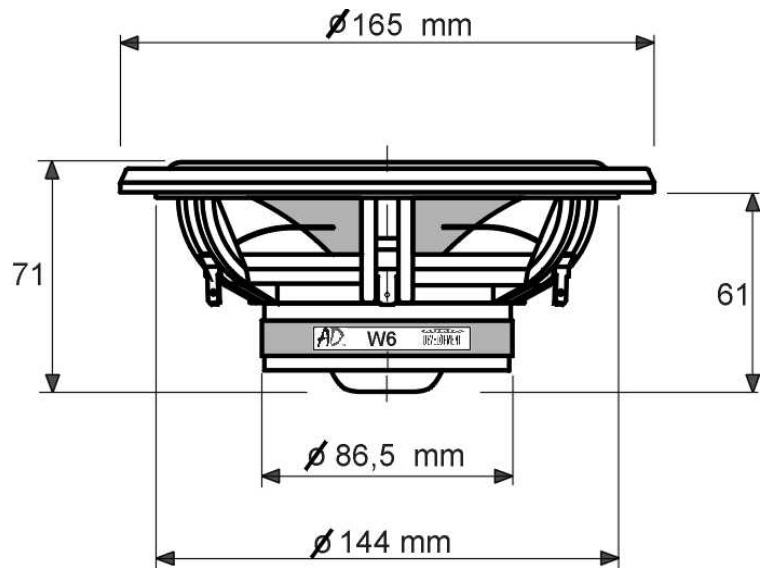
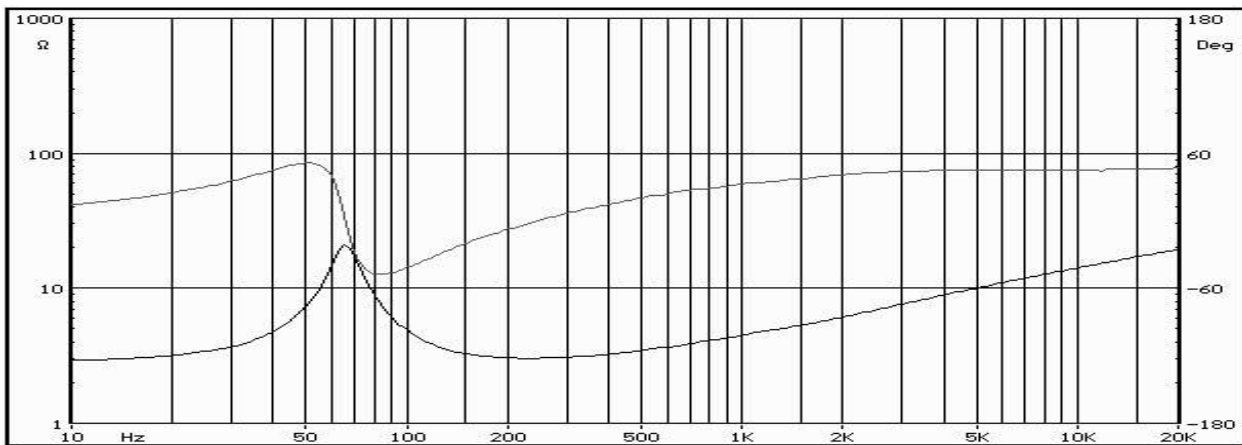


W6

Sd:	136 cm ²
Vas:	10.17 l
Cms:	4.1e-04 m/N
Cas:	7.3e-08 m/N
Mmd:	13,45 gr
Mms:	14,21 gr
Rms:	1.18 Ns/m
Fs:	66 Hz
Bl:	4.50 N/A
Re:	2.60 ohm
Le:	0.53 mH
Qms:	4.98
Qes:	0.75
Qts:	0.65
V/C l:	17.00 mm
Xmax:	12.00 mm
Pmax:	70 W
dBspl:	90.5 dB



W 6 IMPEDANCE



DESIGN FEATURES

- CONE: Double layer fibreglass with rubber suspension.
- VOICE COIL: Pure copper wire on aluminium former (\varnothing 26 mm).
- BASKET: Owner's design, a PPO chassis injected with fibreglass, in order to low down undesired distortions.
- DUST COVER: ABS, glued directly to the V/C former, with calibrated weight and dimensions in order to reach the desired Mms.

The 16 cm diameter of the TREND line allows the assembly of two-way systems, where the low frequencies of the music are completely unveiled, without necessarily using external hi-power amps, also for the most dynamic or impressive music.

Phase and impedance curves are measured after 20 hours burn-in at 40 W RMS, so are the T / S parameters. Due to the continue research and development, these information are subject to change without notice.